

NBC-M12MRD/ 2,0-93F/M12MRD - Network cable



1192143

<https://www.phoenixcontact.com/us/products/1192143>

Please be informed that the data shown in this PDF document is generated from our online catalog. Please find the complete data in the user documentation. Our general terms of use for downloads are valid.



Network cable, Ethernet CAT5e (100 Mbps), 4-position, shielded, Plug angled M12, coding: D / IP67, on Plug angled M12, coding: D / IP67, cable length: 2 m

Commercial data

| | |
|--------------------------------------|--------------------------------|
| Item number | 1192143 |
| Packing unit | 1 pc |
| Minimum order quantity | 1 pc |
| Note | Made to order (non-returnable) |
| Sales key | BF15 |
| Product key | BF1IHC |
| GTIN | 4063151319557 |
| Weight per piece (including packing) | 22.22 g |
| Weight per piece (excluding packing) | 22.22 g |
| Customs tariff number | 85444290 |
| Country of origin | US |

1192143

<https://www.phoenixcontact.com/us/products/1192143>

Technical data

Product properties

| | |
|---------------------|-------------------------|
| Product type | Data cable preassembled |
| Sensor type | Ethernet |
| Number of positions | 4 |
| Application | Standard, U.S. cables |
| Shielded | yes |
| Coding | D |

Interfaces

| | |
|----------------------|--------------------------|
| Bus system | Ethernet |
| Signal type/category | Ethernet CAT5e, 100 Mbps |

Signaling

| | |
|------------------------|----|
| Status display | No |
| Status display present | No |

Electrical properties

| | |
|-----------------------|--|
| Nominal voltage U_N | 48 V AC |
| | 60 V DC |
| Nominal current I_N | 4 A (Plug/socket in accordance with IEC 61076-2-101, cable technical data is to be observed) |
| Transmission medium | Copper |

Connector

Connection 1

| | |
|----------------------|--|
| Type | Plug angled M12 / IP67 |
| Coding type | D (Data) |
| Handle color | black |
| Material | CuSn (Contact) |
| | Ni/Au (Contact surface) |
| | PA (Contact carriers) |
| | TPU, hardly inflammable, self-extinguishing (Grip) |
| | Zinc die-cast, nickel-plated (Screw connection) |
| | FKM (Seal) |
| Degree of protection | IP67 |

Connection 2

| | |
|---------------------|------------------------|
| Type | Plug angled M12 / IP67 |
| Number of positions | 4 |
| Coding type | D (Data) |
| Handle color | black |
| | CuSn (Contact) |

NBC-M12MRD/ 2,0-93F/M12MRD - Network cable



1192143


<https://www.phoenixcontact.com/us/products/1192143>

| | |
|----------------------|--|
| Material | Ni/Au (Contact surface) |
| | PA (Contact carriers) |
| | TPU, hardly inflammable, self-extinguishing (Grip) |
| | Zinc die-cast, nickel-plated (Screw connection) |
| | FKM (Seal) |
| Degree of protection | IP67 |

Cable/line

| | |
|--------------|-----|
| Cable length | 2 m |
|--------------|-----|

Highly flexible Ethernet CAT5e [93F]

| | |
|---------------------------------|---|
| Dimensional drawing |  |
| UL AWM Style | 2463 (80 °C / 600 V) |
| Number of positions | 4 |
| Shielded | yes |
| Cable type | Highly flexible Ethernet CAT5e [93F] |
| Conductor structure | 2x2xAWG24/7, SF/UTP |
| Conductor structure signal line | 7x 0.20 mm (7x32) |
| AWG signal line | 24 |
| Conductor cross section | 2x 2x 0.2 mm ² |
| Wire diameter incl. insulation | 1.2 mm |
| External cable diameter | 6.7 mm ±0.25 mm |
| Outer sheath, material | TPE |
| External sheath, color | Teal |
| Conductor material | Tin-plated Cu litz wires |
| Material wire insulation | PE |
| Single wire, color | white/orange-orange, white/green-green |
| Twisted pairs | 2 cores to the pair |
| Overall twist | 2 pairs to the core |
| Optical shield covering | 75 % |
| Wave impedance | 100 Ω ±15 Ω (at 100 MHz) |
| Cable impedance | 100 Ω ±15 Ω (at 1 ... 100 MHz) |
| Nominal voltage, cable | 600 V |
| Test voltage | 2000 V |
| Max. bending cycles | 1000000 |
| | 20000000 (126 cycles/min. @ 20°C) |
| Torsion force | 360 °/m (1 lb. load) |

NBC-M12MRD/ 2,0-93F/M12MRD - Network cable



1192143

<https://www.phoenixcontact.com/us/products/1192143>

| | |
|---------------------------------------|---|
| Torsion cycles | 3000000 |
| Torsional frequency | 71 (cycles/min) |
| Ambient temperature (operation) | 20 °C |
| Near end crosstalk attenuation (NEXT) | 50 dB (with 100 MHz (IEC 62153-4-9)) |
| Return attenuation (RL) | 20 dB (at 10 MHz (+6LOG)) |
| | 26 dB (at 20 MHz) |
| | 26 dB (at 100 MHz (-5LOG)) |
| Flame resistance | VW-1 |
| Other resistance | Resistant to welding splashes (Abrasion and oil resistance) |
| | UV resistant (CMX outdoor) |
| Ambient temperature (operation) | -40 °C ... 80 °C (Cable, flexible installation) |

Environmental and real-life conditions

Ambient conditions

| | |
|---------------------------------|----------------------------------|
| Degree of protection | IP65 |
| | IP65 |
| Ambient temperature (operation) | -25 °C ... 85 °C (M12 connector) |

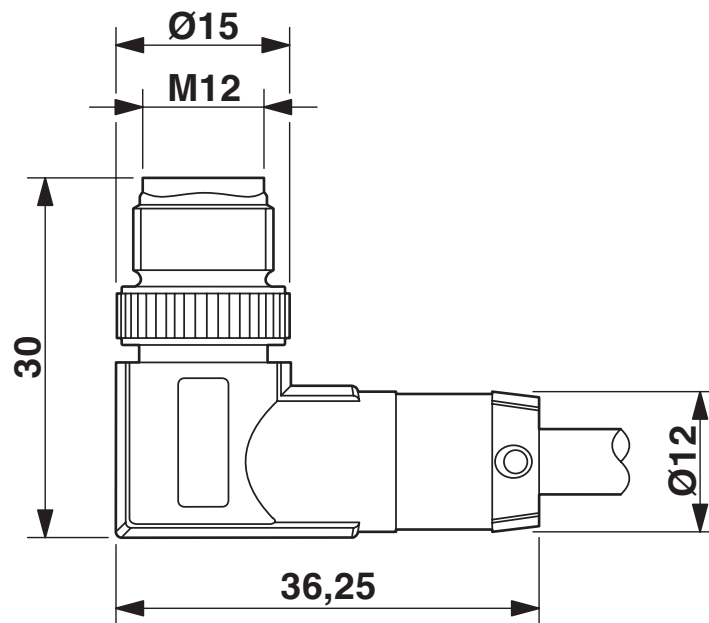
Standards and regulations

M12

| | |
|--------------------------|-----------------|
| Standard designation | M12 connector |
| Standards/specifications | IEC 61076-2-101 |

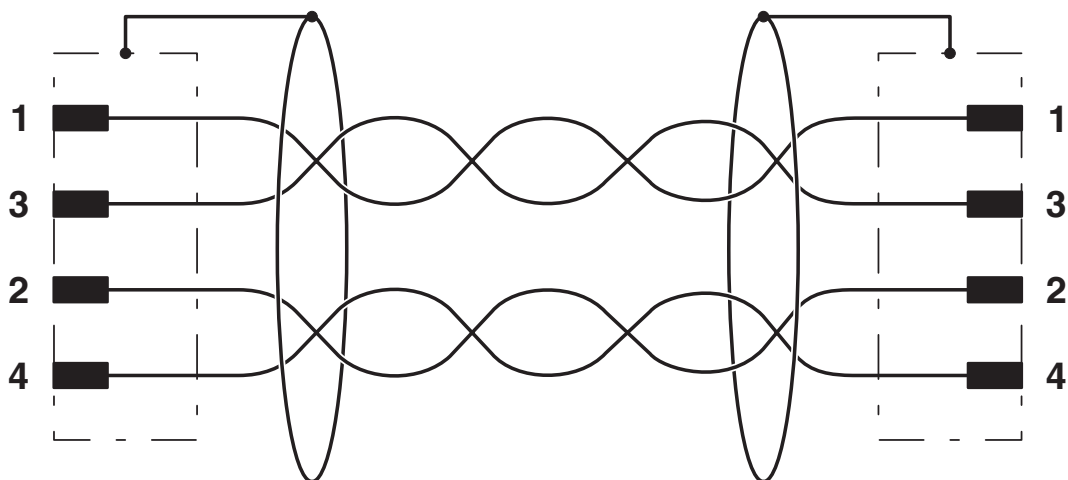
Drawings

Dimensional drawing



M12 x 1 male plug, angled, shielded

Circuit diagram



1192143

<https://www.phoenixcontact.com/us/products/1192143>

Schematic diagram



Pin assignment M12 male connector, 4-pos., D-coded, male side

NBC-M12MRD/ 2,0-93F/M12MRD - Network cable





1192143

<https://www.phoenixcontact.com/us/products/1192143>

Approvals

To download certificates, visit the product detail page: <https://www.phoenixcontact.com/us/products/1192143>

|  UL Listed Approval ID: FILE E 335024 | | | | |
|--|-----------------------|-----------------------|-------------------|-----------------------------|
| | Nominal voltage U_N | Nominal current I_N | Cross section AWG | Cross section mm^2 |
| | 60 V | 1.5 A | - | - |

|  cUL Listed Approval ID: File E335024 | | | | |
|--|-----------------------|-----------------------|-------------------|-----------------------------|
| | Nominal voltage U_N | Nominal current I_N | Cross section AWG | Cross section mm^2 |
| | 60 V | 1.5 A | - | - |

| cULus Listed | | | | |
|---------------------|--|--|--|--|
|---------------------|--|--|--|--|

1192143

<https://www.phoenixcontact.com/us/products/1192143>

Classifications

ECLASS

| | |
|-------------|----------|
| ECLASS-11.0 | 27060307 |
| ECLASS-12.0 | 27060307 |
| ECLASS-13.0 | 27060307 |

ETIM

| | |
|----------|----------|
| ETIM 8.0 | EC001855 |
|----------|----------|

UNSPSC

| | |
|-------------|----------|
| UNSPSC 21.0 | 26121600 |
|-------------|----------|

NBC-M12MRD/ 2,0-93F/M12MRD - Network cable



1192143

<https://www.phoenixcontact.com/us/products/1192143>

Environmental product compliance

| | |
|------------|--|
| REACH SVHC | Lead 7439-92-1 |
| China RoHS | Environmentally Friendly Use Period = 50 years |
| | For information on hazardous substances, refer to the manufacturer's declaration available under "Downloads" |

Phoenix Contact 2024 © - all rights reserved

<https://www.phoenixcontact.com>

Phoenix Contact USA
586 Fulling Mill Road
Middletown, PA 17057, United States
(+717) 944-1300
info@phoenixcon.com